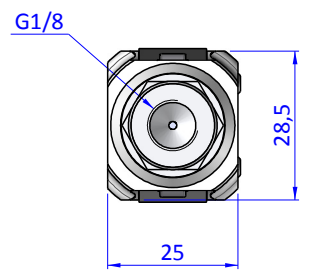
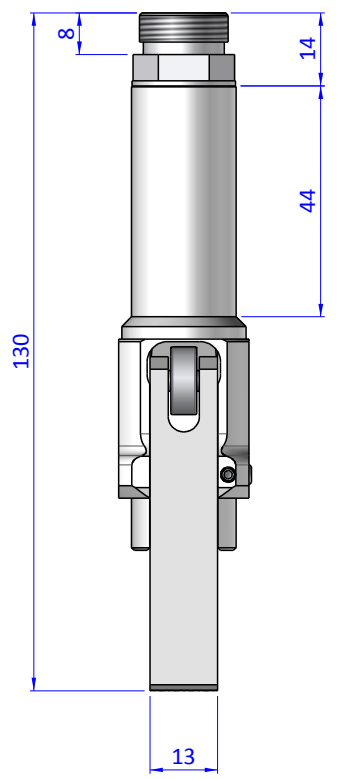
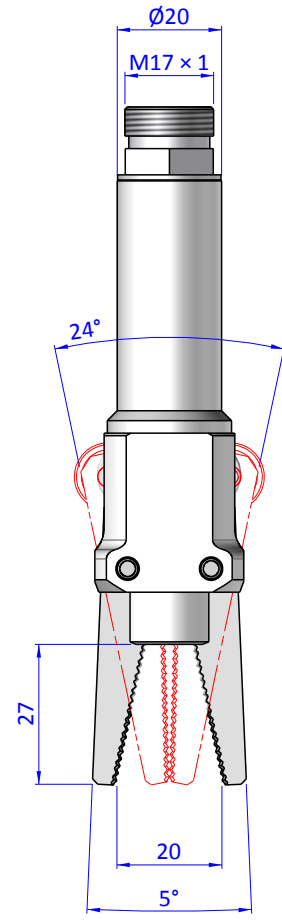
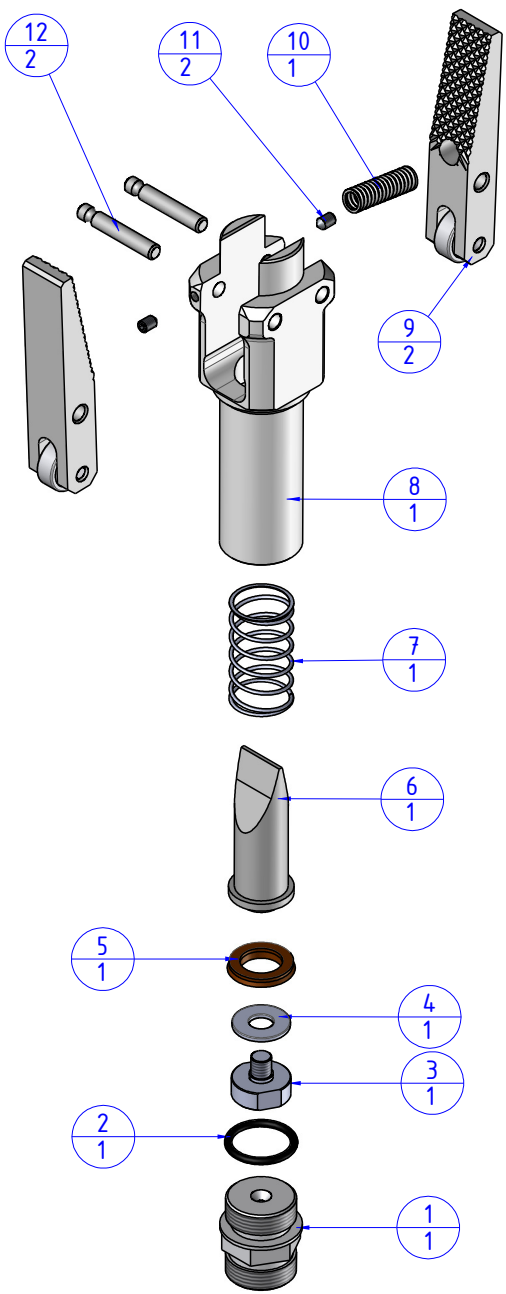


THE PROPERTY OF THE DRAWING IS ESTABLISHED BY LAW. IT IS FORBIDDEN TO PRODUCE OR SHOW IT TO THIRD PARTY, WITHOUT A WRITTEN AGREEMENT.

Item	Name	QTY
1	GRF20.95.01	1
2	OR.2056	1
3	GRF20.95.03.2	1
4	GRF20.95.10	1
5	PSP.1610255	1
6	DD.20.05	1
7	M.GRF.2095.1	1
8	PAC.2016.1	1
9	DD.20.16R.02	2
10	M.6X35	1
11	V.STM3X5	2
12	PAC.2016.5	2



Format A3  
UNI 936-76

		DESIGNED FROM	REVIEW
		FP SERVICES	A
GENERAL TOLERANCE	DESCRIPTION	DATE	WEIGHT
UNI - ISO 2768	CA.PAC20.16R	08/03/2019	0,166kg
CLASSE f		CODE	CA.PAC20.16R